

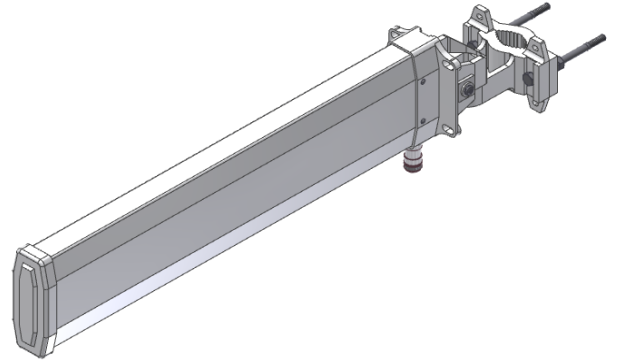
# WIMAX YAGI Antenna

2577 ~ 2607 MHz / 12 dBi

## WIMAX-SEYG-12

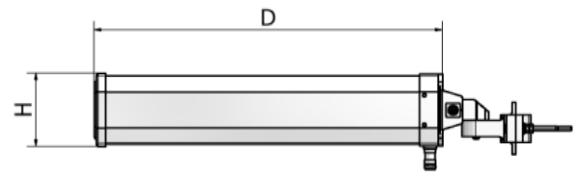
### i. Electrical Specification

|                     |            |                 |
|---------------------|------------|-----------------|
| Frequency Range     |            | 2577 ~ 2607 MHz |
| Polarization        |            | Vertical        |
| Band Width          |            | 30 MHz          |
| Gain                |            | ≥ 12 dBi        |
| Beam width          | Horizontal | ≥ Nominal 33°   |
|                     | Vertical   | ≥ Nominal 37°   |
| Swing width         | Horizontal | ± 90°           |
|                     | Vertical   | + 30° / -30°    |
| F-B ratio           |            | ≥ 15 dB         |
| VSWR                |            | 1 : 1.5         |
| Impedance           |            | 50 Ω            |
| Maximum input power |            | 20 W            |

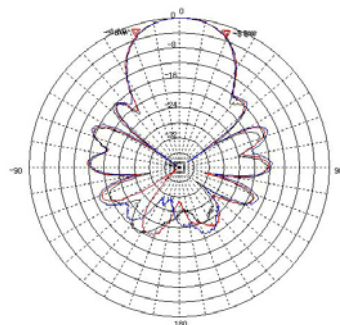


### ii. Mechanical Specification

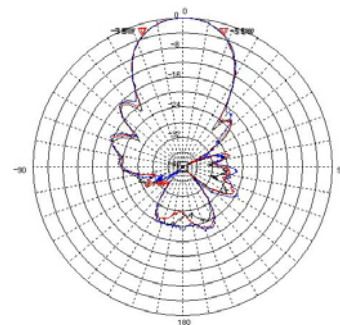
|                                  |                     |
|----------------------------------|---------------------|
| Radom Dimension ( H x W x D )    | 110 x 43 x 430 (mm) |
| Weight ( Include bracket )       | ≤ 2 kg              |
| Connector Type                   | N-Female            |
| Withstand Wind Pressure          | 60 m/sec            |
| Radome Material                  | ASA                 |
| Radome Color                     | Cool Gray 1C        |
| Mechanical Down Tilt             | Up, Down ± 30°      |
|                                  | Left, Right ± 30°   |
| Temperature                      | -40 °C ~ 70 °C      |
| Packing Size ( H x W x D ) 10SET | -                   |
| Packing Weight 10SET             | -                   |



### iii. Radiation Pattern



Horizontal Pattern



Vertical Pattern